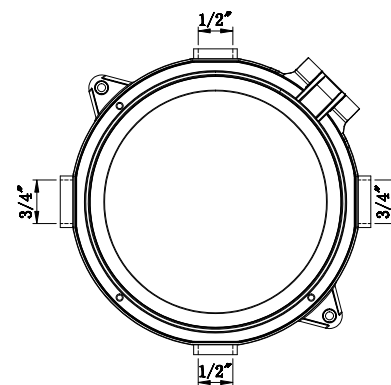
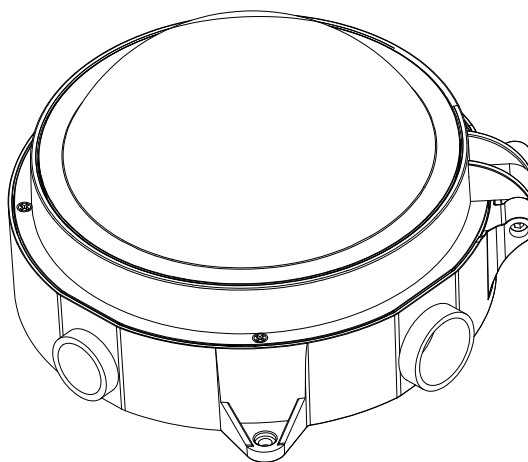


LT-Y C INSTALLATION



LI-TIAN LIGHTING

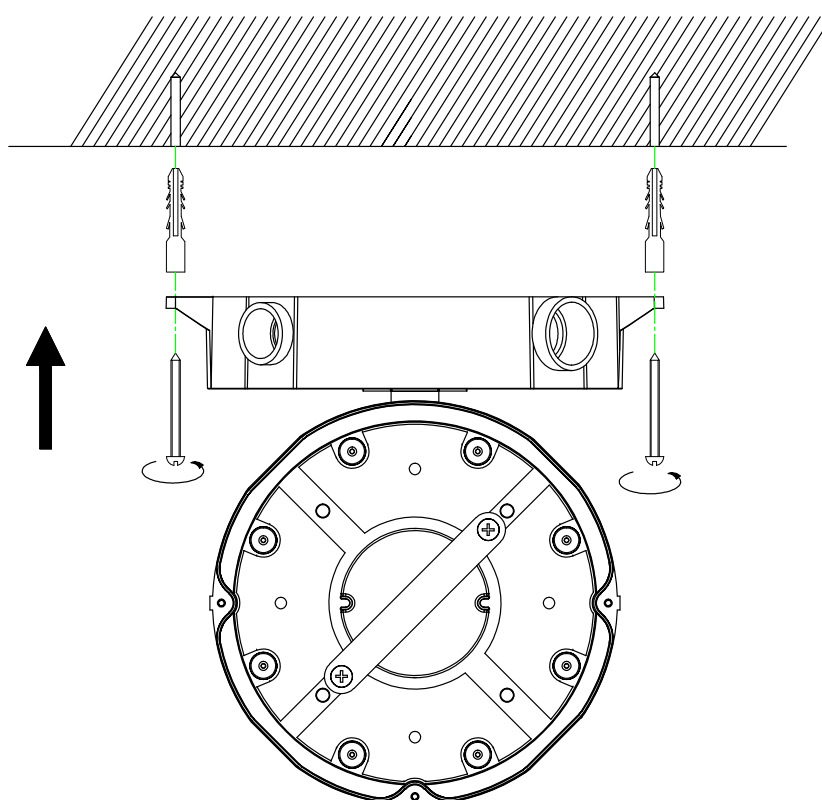
LT-ZQ-30W



Before installation, please make sure the main power is off. Then determine the size of the PVC pipe to be installed (either $\frac{3}{4}$ " or $\frac{1}{2}$ ") and knock out the right hole to receive the pipe.

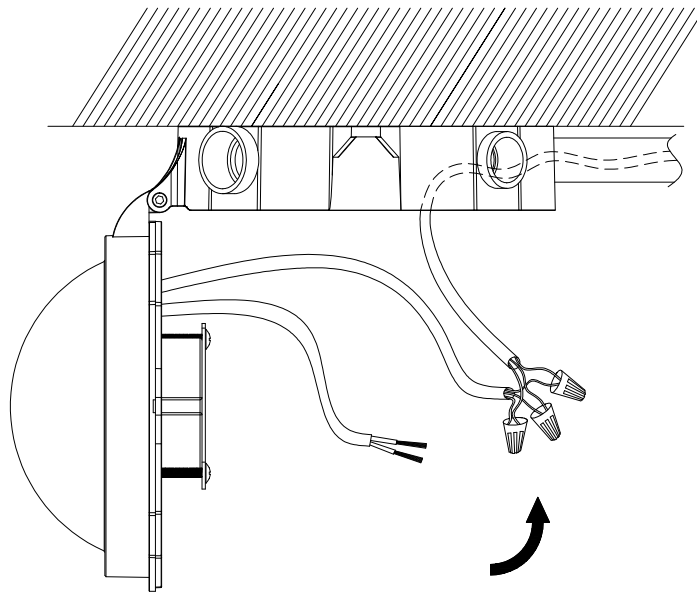
Step 1

Fix the junction box on the wall / ceiling with provided screws.



Step 2

AC 120-277V. Connect the PVC pipe. Please note that the fixture light works only with 0-10 dimmers.



Step 3

Close the Fixture and fix it with the attached screws

